

25. September 2007

Abkündigung Serie MTG und MTW
Ersatz durch Serie STG und STW

Sehr geehrte Damen und Herren,

Wir werden die Fertigung unserer Kippschalter der Serie MTG und MTW (siehe Seite 20 - 22 im Katalog 2006) bis Ende 2007 einstellen. Als Ersatz bieten wir Ihnen die Typen der Serie STG und STW.

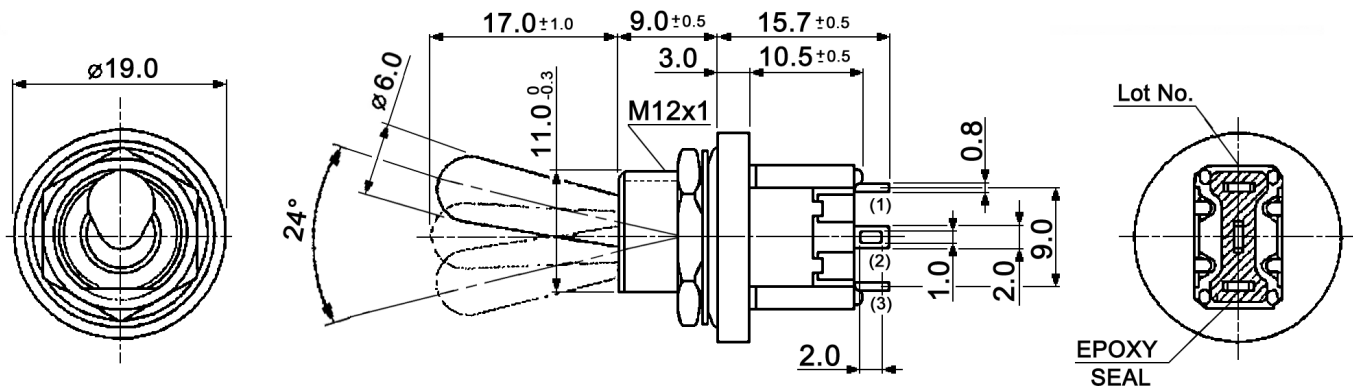
Diese Serien sind sehr ähnlich und die Umstellung daher problemlos.

Sie haben die Möglichkeit die Schalter ein letztes Mal bis 31.12.2007 bei uns zu bestellen.

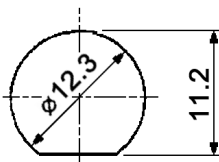
Für weitere Fragen sowie Preise und Datenblätter der neuen Typen stehen wir jederzeit gerne telefonisch unter 08106-3621-26 (Frau Schroll) zur Verfügung.

Mit freundlichen Grüßen,

knitter-switch



PANEL CUT-OUT



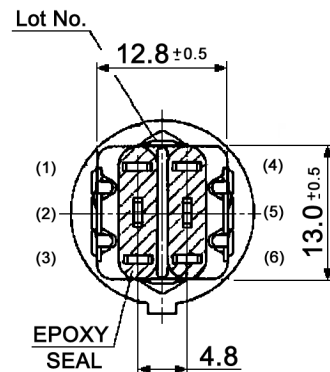
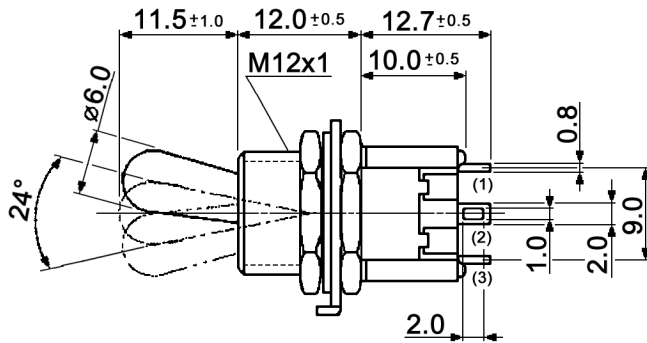
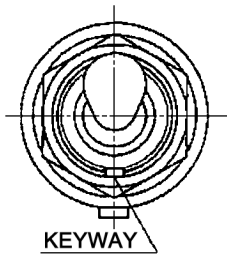
P / N	SWITCHING FUNCTION	Circuit
STW 106 D	ON - ON	
STW 106 E	ON - OFF - ON	
STW 106 F	MOM - ON	
STW 106 G	MOM - OFF - MOM	
STW 106 H	MOM - OFF - ON	

Specifications:

Contact rating: 6A, 125V AC; 3A, 250V AC
 Contact resistance: 20mOhm max. (1.5mA, 200 μ V AC; 1kHz)
 Insulation resistance: 1 000MOhm min. at 500V DC
 Dielectric strength: 1 000V AC (between terminals)
 1 500V AC (between terminals and ground) for 1 minute
 Operating temperature: -20°C to +80°C
 Mechanical life: 100 000 cycles min.
 Electrical life: 25 000 cycles min.
 Operating force: 4.3 +/-3N (430 +/-300gf)
 Water proofing: 30 minutes at 1m water column; IP 67
 Material: Case: diallyl phthalate resin, green
 Fixed terminal: brass, silver plated
 Common terminal: brass, silver plated
 Frame: stainless steel
 Plunger: brass, chrome plated
 Bushing: brass, nickel plated
 Accessories: O-ring: nitrile rubber
 hex. nut: brass, nickel plated
 tooth washer: carbon tool steel, nickel plated



Tolerances:	Date	Name	<h1>STW 106 x</h1>
	10/07	dr	
			<h2>30 12 10</h2>
			knitter-switch
			30 12 10
Modifications	Date	Name	Page 1/1



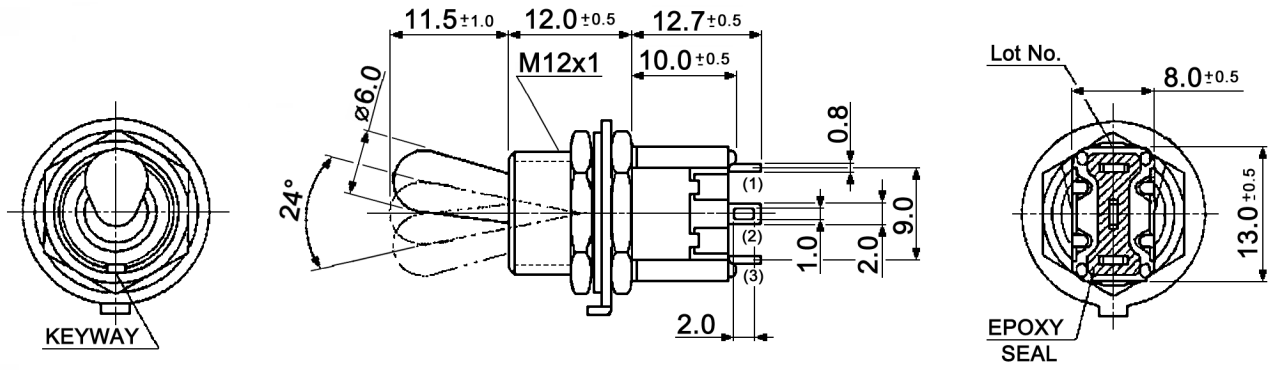
P / N	SWITCHING FUNCTION	Circuit
STG 206 N	ON - ON	
STG 206 P	ON - OFF - ON	
STG 206 R	MOM - ON	
STG 206 S	MOM - OFF - MOM	
STG 206 T	MOM - OFF - ON	
STG 206 PA	ON - ON - ON	

Specifications:

Contact rating: 6A, 125V AC; 3A, 250V AC
Contact resistance: 20mOhm max. (1.5mA, 200µV AC; 1kHz)
Insulation resistance: 1 000MOhm min. at 500V DC
Dielectric strength: 1 000V AC (between terminals)
 1 500V AC (between terminals and ground) for 1 minute
Mechanical life: 100 000 cycles min.
Electrical life: 25 000 cycles min.
Operating force: 1.5 +/-1N (150 +/-100gf)
Material: Case: diallyl phthalate resin, green
 Fixed terminal: brass, silver plated
 Common terminal: brass, silver plated
 Plunger: brass, chrome plated
 Bushing: brass, nickel plated
 Frame: stainless steel
 Accessories: ring: steel, nickel plated
 hex. nut: brass, nickel plated
 tooth washer: carbon tool steel, nickel plated



Tolerances:	Date	Name	<h1>STG 206 x</h1>
	10/07	dr	
			<h2>30 12 09</h2>
			Page
			1/1
Modifications	Date	Name	



P / N	SWITCHING FUNCTION	Circuit
STG 106 D	ON - ON	
STG 106 E	ON - OFF - ON	
STG 106 F	MOM - ON	
STG 106 G	MOM - OFF - MOM	
STG 106 H	MOM - OFF - ON	

Specifications:

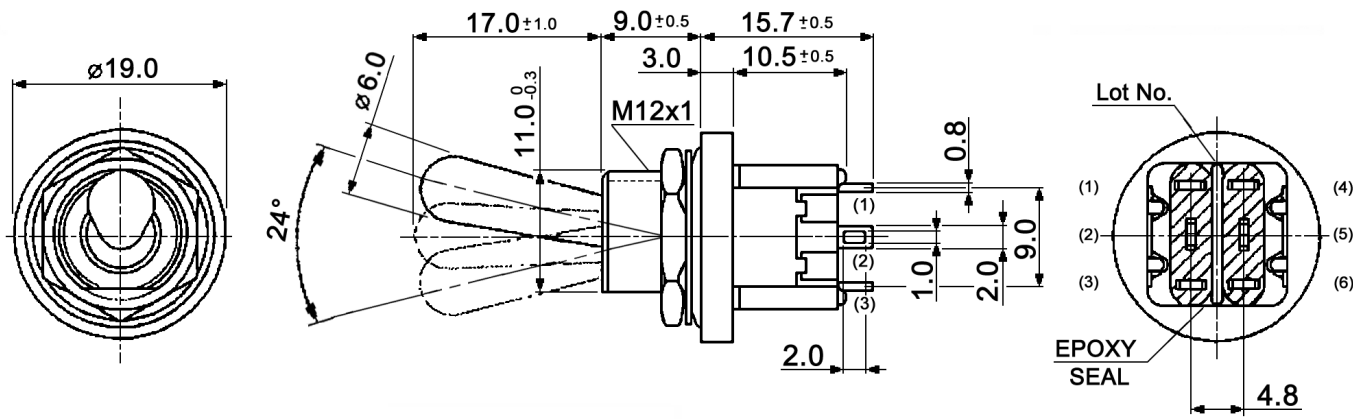
Contact rating: 6A, 125V AC; 3A, 250V AC
 Contact resistance: 20mOhm max. (1.5mA, 200µV AC; 1kHz)
 Insulation resistance: 1 000MOhm min. at 500V DC
 Dielectric strength: 1 000V AC (between terminals)
 1 500V AC (between terminals and ground) for 1 minute

Mechanical life: 100 000 cycles min.
 Electrical life: 25 000 cycles min.
 Operating force: 1.5 +/-1N (150 +/-100gf)
 Material: Case: diallyl phthalate resin, green
 Fixed terminal: brass, silver plated
 Common terminal: brass, silver plated
 Plunger: brass, chrome plated
 Bushing: brass, nickel plated
 Frame: stainless steel

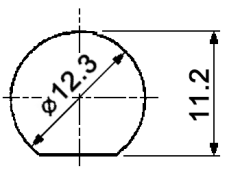
Accessories: ring: steel, nickel plated
 hex. nut: brass, nickel plated
 tooth washer: carbon tool steel, nickel plated



Tolerances:	Date	Name	<h1>STG 106 x</h1>
	10/07	dr	
			<h2>30 12 08</h2>
			Page
			1/1
Modifications	Date	Name	



PANEL CUT-OUT



P / N	SWITCHING FUNCTION	Circuit
STW 206 N	ON - ON	
STW 206 P	ON - OFF - ON	
STW 206 R	MOM - ON	
STW 206 S	MOM - OFF - MOM	
STW 206 T	MOM - OFF - ON	
STW 206 PA	ON - ON - ON	

Specifications:

Contact rating: 6A, 125V AC; 3A, 250V AC
 Contact resistance: 20mOhm max. (1.5mA, 200µV AC; 1kHz)
 Insulation resistance: 1 000MOhm min. at 500V DC
 Dielectric strength: 1 000V AC (between terminals)
 1 500V AC (between terminals and ground) for 1 minute

Operating temperature: -20°C to +80°C
 Mechanical life: 100 000 cycles min.
 Electrical life: 25 000 cycles min.
 Operating force: 6.7 +/-4N (670 +/-400gf)
 Water proofing: 30 minutes at 1m water column; IP 67
 Material: Case: diallyl phthalate resin, green
 Fixed terminal: brass, silver plated
 Common terminal: brass, silver plated
 Frame: stainless steel
 Plunger: brass, chrome plated
 Bushing: brass, nickel plated
 Accessories: O-ring: nitrile rubber

hex. nut: brass, nickel plated
 tooth washer: carbon tool steel, nickel plated



Tolerances:	Date	Name	<h1>STW 206 x</h1>
	10/07	dr	
			<h2>30 12 11</h2>
Modifications	Date	Name	knitter-switch